

POLE W

Construction:

The supporting structure of the W posts consists of a steel pipe with a diameter of $\varnothing 159 \times 4$ mm at the bottom which is reduced to $\varnothing 76 \times 3,2$ mm at the top .

The upper part of the post is a straight pipe cut at an angle of 90° to the axis. Where luminaires are mounted on side-mounted arms rather than at the top of the post, the tip of the post is secured with an aluminium plug.

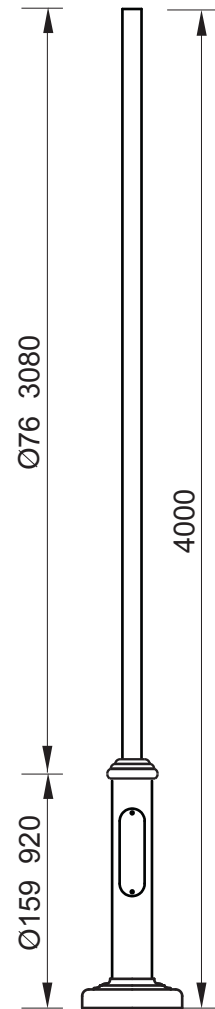
Where an additional arm is to be mounted at the top, the post is fitted with an arm-mounting case.

The point of connection of the post to the foundation is covered with a decorative flange. The transition between the base and the mast pipe is also covered with a decorative cast element.

The base of the post is fitted with a small access door closed with a bolt. A mounting rack inside the post enables one to install electrical fittings.

Anchorage:

The posts should be mounted on an F100 foundation with a 190×190 spacing of four M20 mounting bolts ($h > 5m$) or 150×150 4xM16 ($h < 5m$)



TECHNICAL INFORMATION:

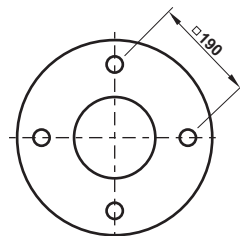
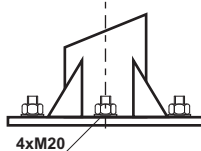
Maximum side area mounting on the top of pole are **1,0 m²** (area simetrically to the pole axis).

Maximum weight on the top of pole **80 kg**.

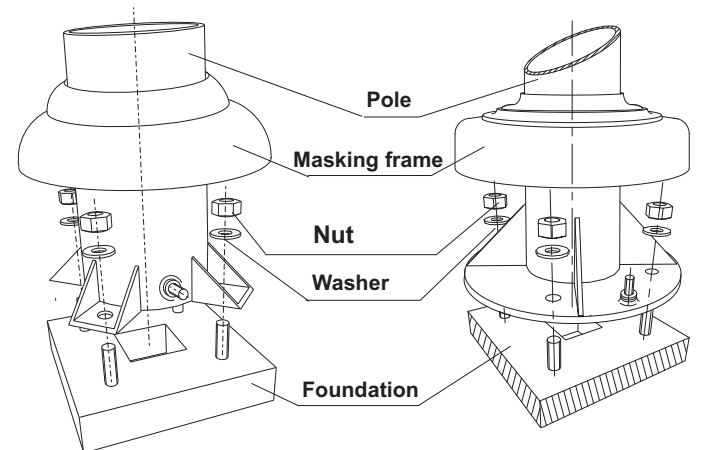
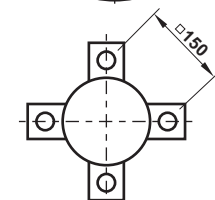
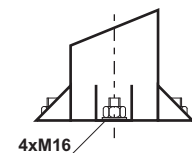
Parameters calculated for wind area "I" (22m/s) according to PN - EN 40-3-1, PN - EN 40-3-3

ANCHORAGE

ST 190x190
Height $H > 5m$



ST 150x150
Height $H < 5m$



Doc.signature: S-000W-03

Last revision: 2011.02.09